

8 7 6 5 4 3 2 1

REVISIONS

D

D

C

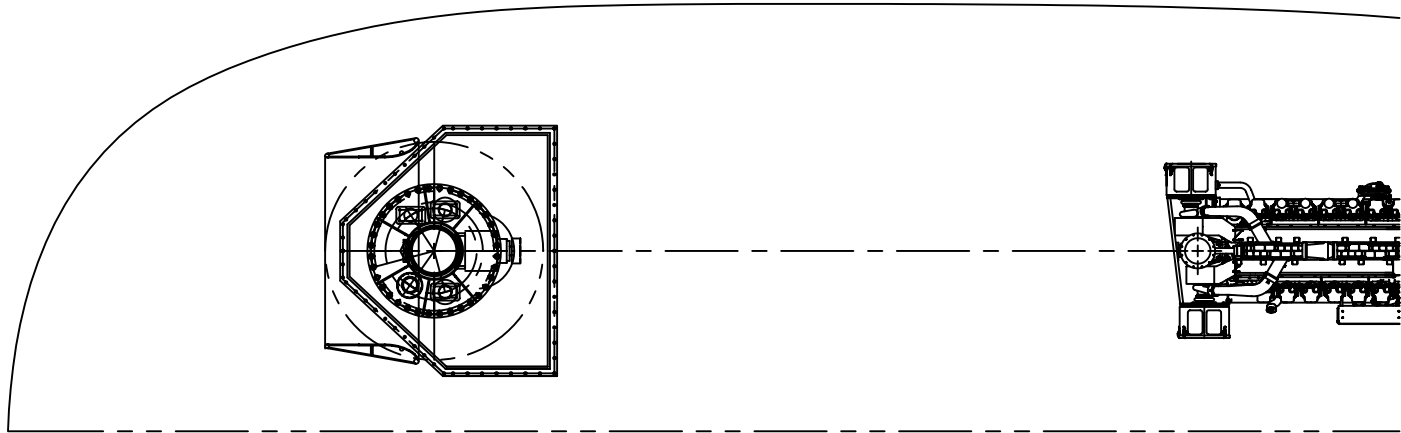
C

B

B

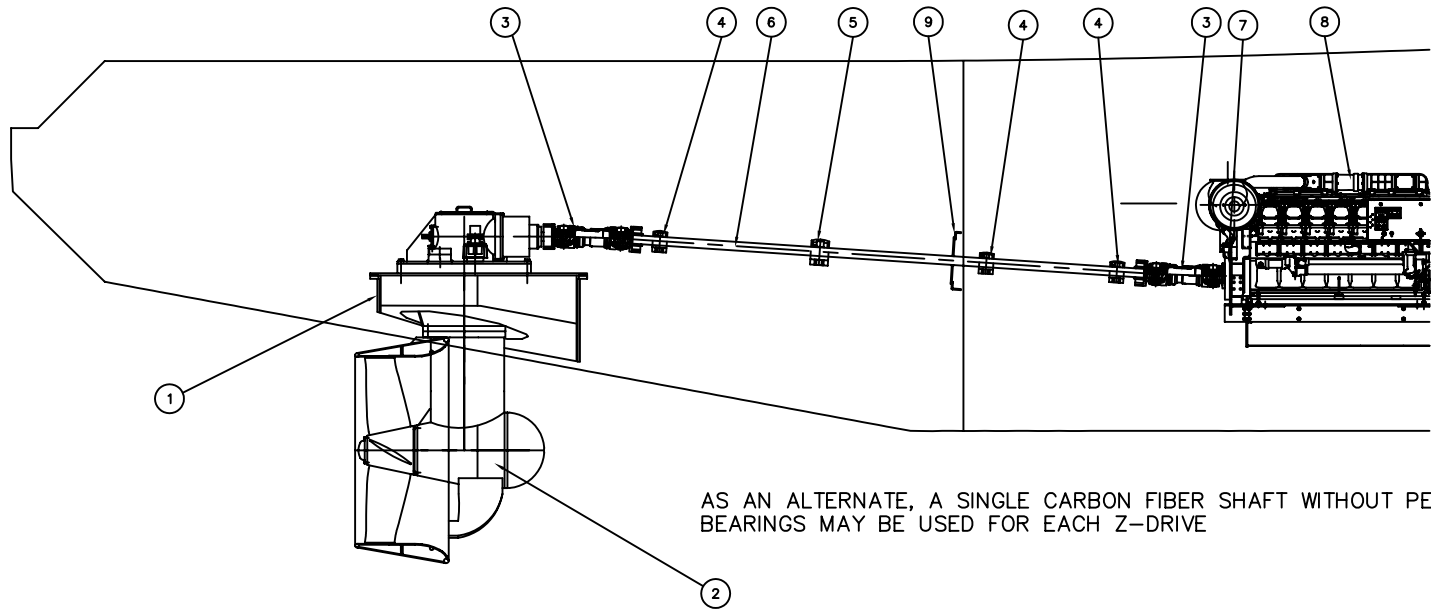
A

A



DESCRIPTION

- 1. WELL
- 2. THRUSTER TWIN Z-DRIVES
- 3. CARDAN SHAFTS
- 4. PILLOW BLOCK RADIAL BEARINGS
- 5. PILLOW BLOCK THRUST AND RADIAL BEARING
- 6. INTERMEDIATE SHAFT
- 7. FLEXIBLE COUPLING
- 8. DIESEL ENGINE
- 9. BULKHEAD SEAL



AS AN ALTERNATE, A SINGLE CARBON FIBER SHAFT WITHOUT PEDESTAL BEARINGS MAY BE USED FOR EACH Z-DRIVE

		THRUSTMASTER OF TEXAS, INC.	
		TYPICAL ASD TUG ARRANGEMENT	
D 65848	D108838	00	00
6191TM	1/20	1/20	1/20
SCALE:	1/20	1/20	1/20
NAME:	DATE:	EST. WT.:	SHEET 1 OF 1

8 7 6 5 4 3 2 1